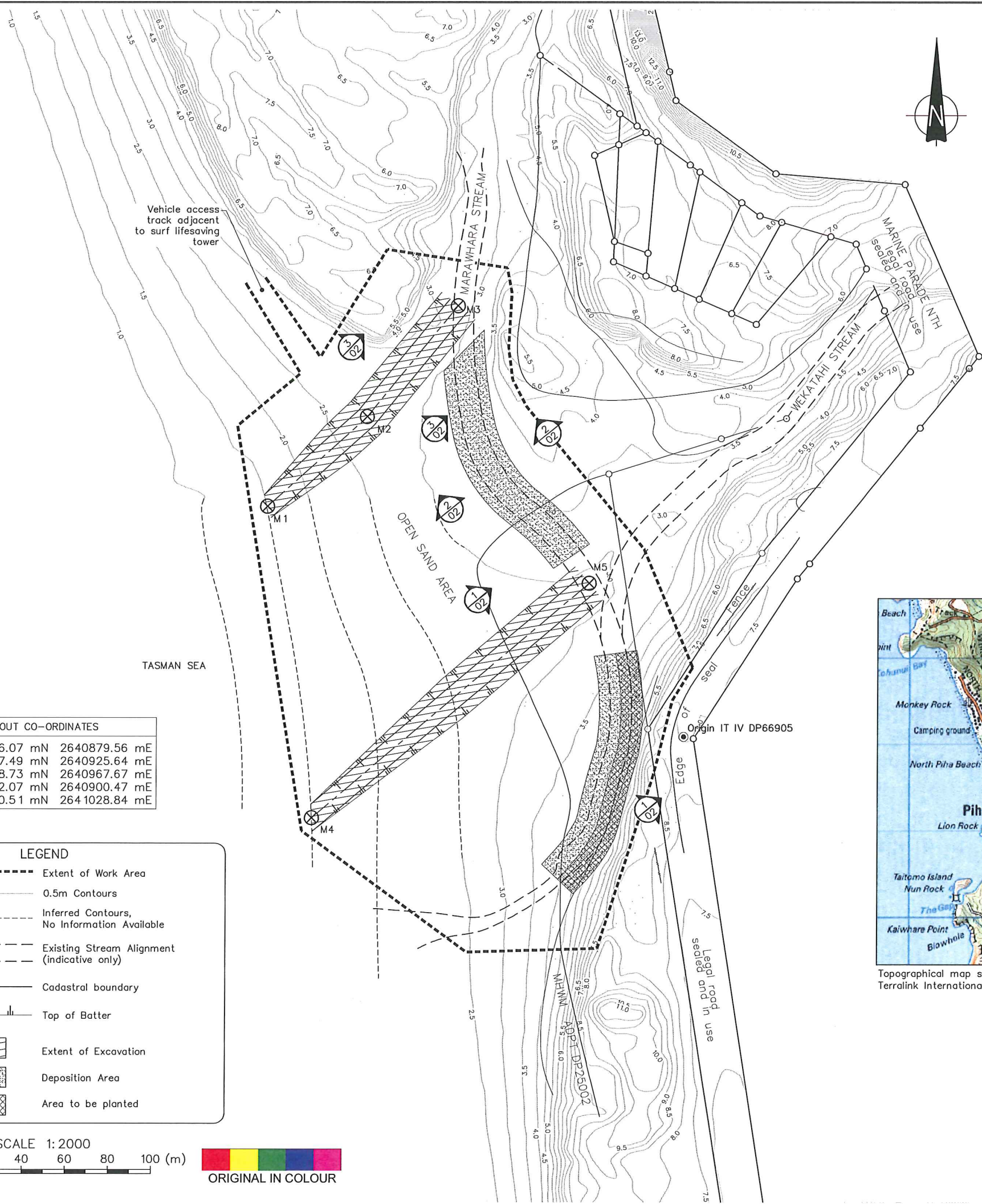


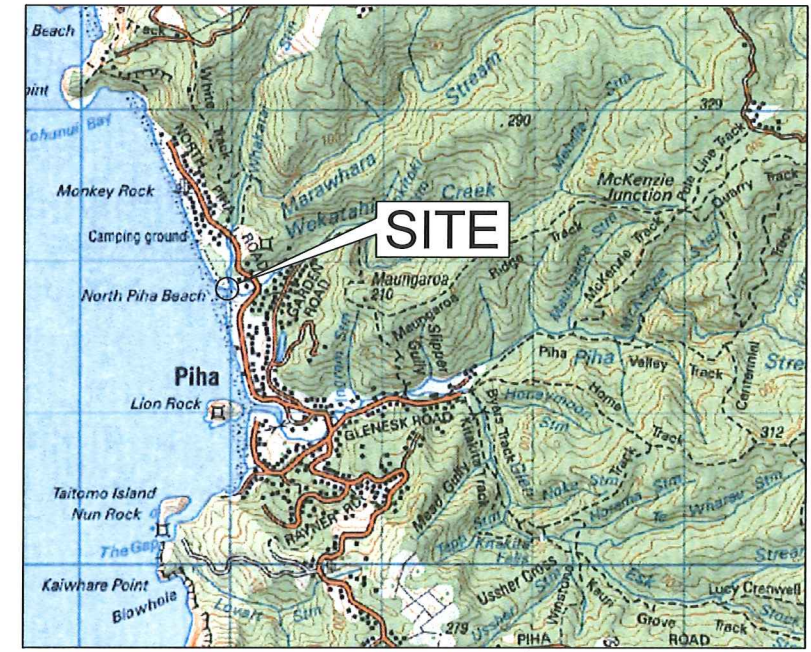
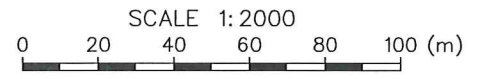
P:\19367\19367_4000\WorkingMaterial\19367_400-01.dwg, 01_15/04/2012 12:40:13 p.m., mfp, 1:1



SETOUT CO-ORDINATES			
M1	647 1746.07 mN	2640879.56 mE	
M2	647 1787.49 mN	2640925.64 mE	
M3	647 1838.73 mN	2640967.67 mE	
M4	647 1602.07 mN	2640900.47 mE	
M5	647 17 10.51 mN	264 1028.84 mE	

LEGEND

- Extent of Work Area
- 0.5m Contours
- Inferred Contours, No Information Available
- Existing Stream Alignment (indicative only)
- Cadastral boundary
- Top of Batter
- Extent of Excavation
- Deposition Area
- Area to be planted



Topographical map sourced from Terralink International (Copyright 2002-2005 Terralink International Limited and its licensors).

LOCATION PLAN
SCALE 1:50000

- NOTES :**
- No plant to be left on beach during high tides/weekends. Plant to be stored in designated laydown area, to be confirmed on-site by the Engineer
 - Coordinate Datum = New Zealand Map Grid, Level Datum = Auckland Vertical Datum 1946
 - Contour Interval = 0.5m
 - Contours sourced from Auckland Council GIS
 - Set out points and deposition areas shall be confirmed on-site by the Engineer prior to excavation
 - Stream channels to be excavated at an even grade from the existing stream invert level at the diversion point, down to RL 1.5m where the stream channels shall daylight in the locations shown. The excavated channel profiles shall be free from abrupt changes in grade, stills or any other obstructions. The stream invert level at the diversion point shall be set out and confirmed on-site by the Engineer prior to excavation.
 - Extent of planting to be confirmed on-site by the Engineer

A Tender Issue	TACC	17/4/12
REVISION DESCRIPTION	BY	DATE
DESIGNED :	TACC	Apr. 12
DRAWN :	JWP	Apr. 12
DESIGN CHECKED :	MEF	4/12
DRAFTING CHECKED :	J	4/12
REFERENCE :		

CADFILE : \\19367.400-01.dwg
NOT FOR CONSTRUCTION
 This drawing is not to be used for construction purposes unless signed as approved
 COPYRIGHT ON THIS DRAWING IS RESERVED

Tonkin & Taylor
 Environmental and Engineering Consultants
 105 Carlton Gore Road, Newmarket, Auckland
 Tel. (09) 355 6000 Fax. (09) 307 0265
 www.tonkin.co.nz

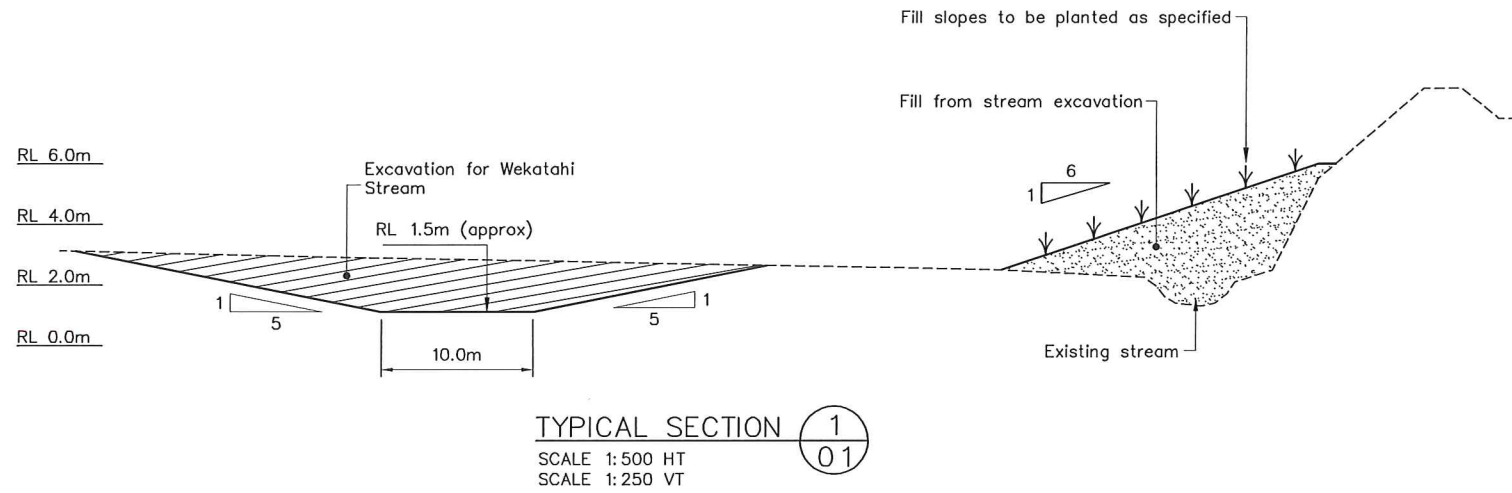
AUCKLAND COUNCIL

REALIGNMENT OF MARAWHARA AND WEKATAHI STREAMS, PIHA

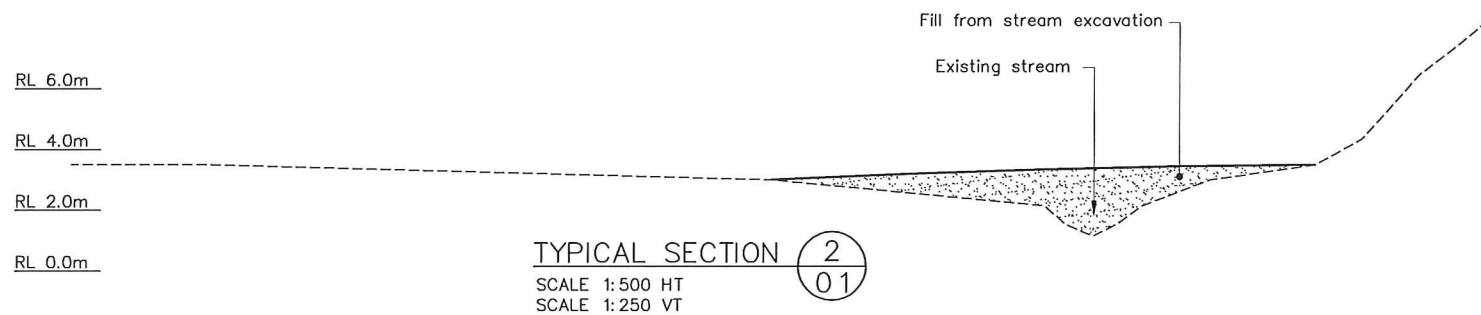
DIVERSION PLAN

DRAWING STATUS: TENDER ISSUE

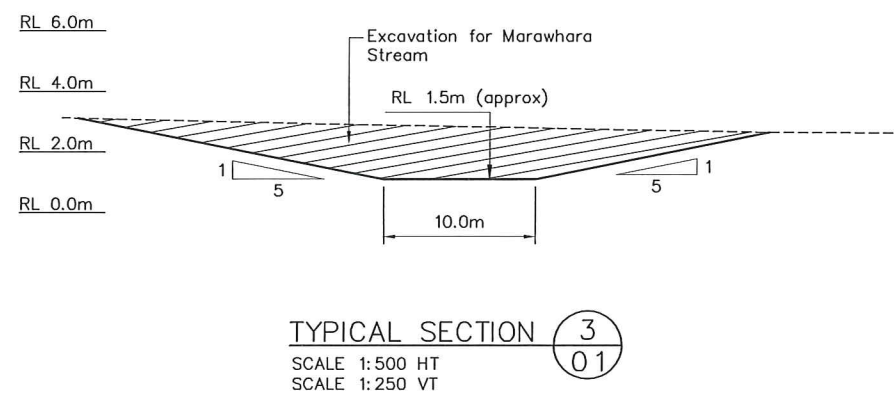
SCALES (AT A3 SIZE)	1:2000
DWG. No.	19367.400-01
REV.	A



TYPICAL SECTION 1
SCALE 1:500 HT
SCALE 1:250 VT

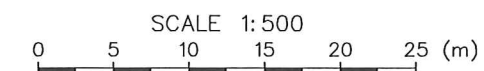


TYPICAL SECTION 2
SCALE 1:500 HT
SCALE 1:250 VT



TYPICAL SECTION 3
SCALE 1:500 HT
SCALE 1:250 VT

LEGEND	
	Typical Fill Area
	Typical Cut Area
	Proposed Ground Level
	Existing Ground Level



- NOTES :
1. All dimensions are in metres unless noted otherwise.
 2. Fill profiles indicative only and shall be confirmed on-site by the Engineer.
 3. Level Datum = Auckland Vertical Datum 1946
 4. Extent of planting to be confirmed on site by the Engineer.
 5. Plant with Spinifex and Pingao at 750 mm spacings in accordance with the Specification.
 6. Sand shall be spread uniformly in 200 mm thick layers and be track-rolled using a minimum of three passes of a minimum 12 ton excavator (or equivalent weight plant).

REVISION DESCRIPTION	BY	DATE
0 Tender Issue	TACC	17/4/12
DESIGNED :	TACC	Apr. 12
DRAWN :	JWP	Apr. 12
DESIGN CHECKED :	MEFF	4/12
DRAFTING CHECKED :	TS	4/12

CADFILE : \\19367.400-01.dwg
APPROVED :
NOT FOR CONSTRUCTION
This drawing is not to be used for construction purposes unless signed as approved
COPYRIGHT ON THIS DRAWING IS RESERVED

Tonkin & Taylor
Environmental and Engineering Consultants
105 Carlton Gore Road, Newmarket, Auckland
Tel. (09) 355 6000 Fax. (09) 307 0265
www.tonkin.co.nz

AUCKLAND COUNCIL

REALIGNMENT OF MARAWHARA AND WEKATAHI STREAMS, PIHA

TYPICAL SECTIONS

DRAWING STATUS: TENDER ISSUE

SCALES (AT A3 SIZE)	DWG. No.	REV.
1:2000	19367.400-02	0